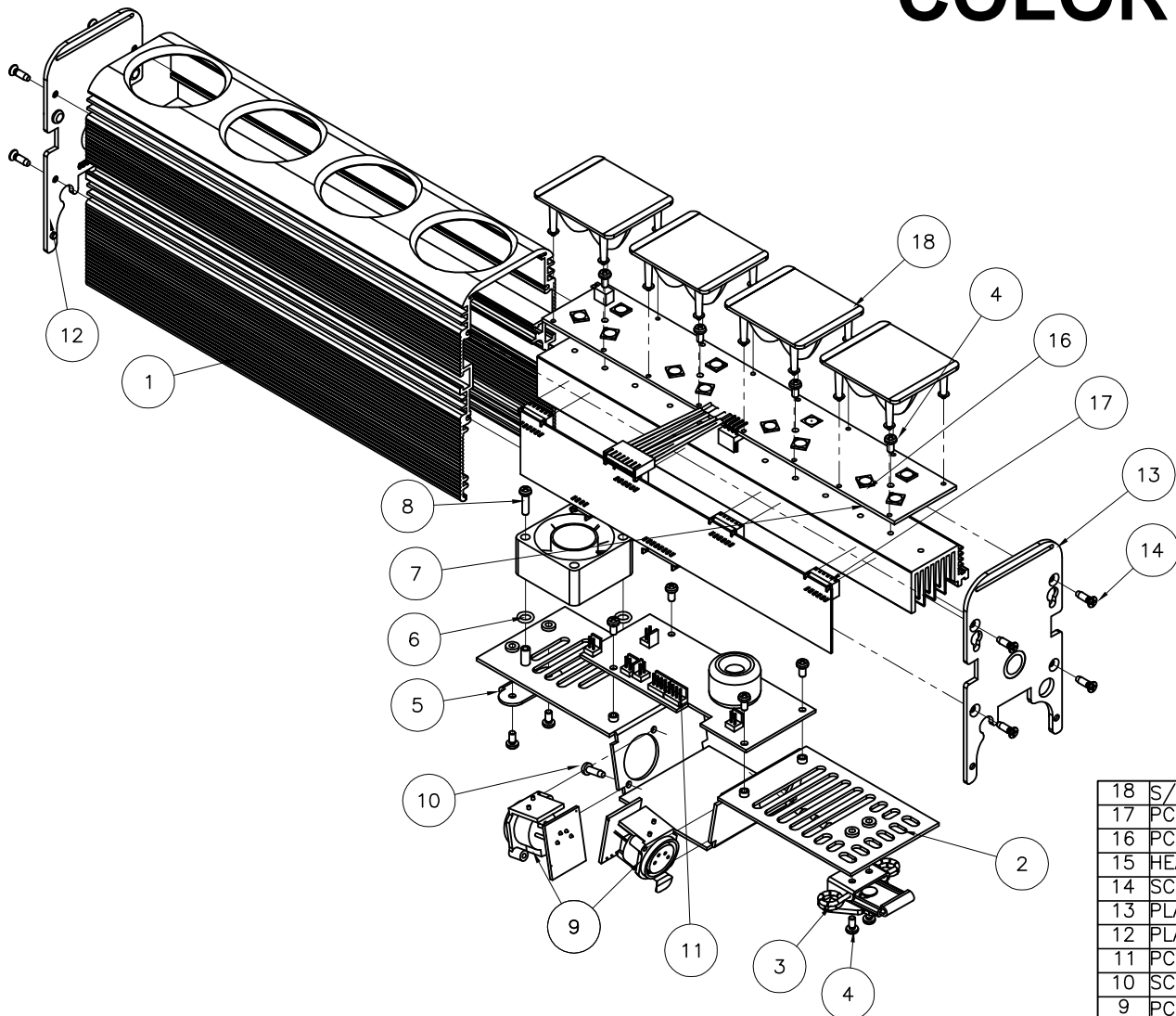


REV A

COLOR BLOCK II PLUS



18	S/A LENS MODULE CB II	603-0022	4
17	PCB COMPLETE SIDE CB II	603-0003	1
16	PCB COMPLETE CB2 PLUS	603-0033	1
15	HEATSINK CB2 BLACK	603-0014	1
14	SCREW SELF TAP FH PZDV BLK ST2.9x13	429-6113-9	8
13	PLATE END HOLE CB2	603-0017	1
12	PLATE END RIVET CB2	603-0016	1
11	PCB COMPLETE PSU CBII	603-0005	1
10	SCREW M3x10 PH PLPS BLK Plastite	429-1208-9	4
9	PCB COMPLETE XLR IN/OUT	602-0100	1
8	SCREW M3x12 PH PLPS Bik	430-1212-0	2
7	FAN ASSEMBLY 602	100-0028	1
6	ORING 5mm RUBBER Blk	450-5515-8	2
5	LATCH CATCH BLACK	900-1157	1
4	SCREW M3x6 PH PLPS Bik	430-1206-0	12
3	LATCH SMALL BLACK	900-1156	1
2	PLATE BOTTOM CB2	603-0015	1
1	CHANNEL 4U MACHINED	603-0013	1
ITEM	DESCRIPTION	PART#	QTY

DISCLAIMER: Dimensions and illustrative drawings contained herein are accurate to the company's knowledge at the time of printing, however specifications are subject to change without notice

Parts List