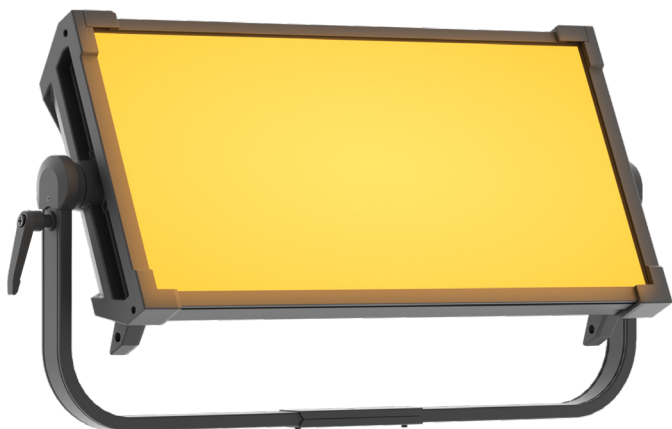


# EclPanel TWC

740W Tunable White and colourful LED soft light with pixels and lighting effects (driven @ 430W)

ORDER CODE: **ECLPANELTWC**



740W RGB + Warm White LEDs (driven @430W)



CRI > 95,5  
R9 > 92  
TLCI > 92



8 section pixel control and built-in lighting effects for cinema applications



Silent operation with multiple fan modes



Battery connection (4pXLR 24-36V): compatible with industry standard external batteries (optional)

**EclPanel TWC**, is the compact 2x1 LED soft light that provides a beautiful, wide source of soft and precise colours. In addition to this, the PROLIGHTS **EclPanel TWC** comes with a full range of white reproductions, from daylight through to tungsten tones, reaching a superior light quality with high CRI, TLCI and TM-30. The **EclPanel TWC** allows for quick and accurate local adjustment of light through 3 rotatory knobs with three fully featured modes: CCT with +/- green shift, HSI for total control of hue, saturation and intensity, FX mode to access the on board pixel cinema effects. The unit can also be controlled on a per-section basis, allowing for reproduction of onboard customisable effects or to be self-made through the lighting desk. Both methods provide eye-candy, with the appealing and modern front looks and cinematic special effects. The unit is designed with an onboard driver and built-in power supply and, being lightweight, the **EclPanel TWC** offers easy rigging and cabling making it the perfect lighting tool for every location.

## TECHNICAL SPECIFICATION

### LIGHT SOURCE

- Source: 740W RGB + Warm White LEDs (driven @ 430W)
- Luminous flux: 34'236lm @4.000 K with MD filter
- Lux: @4000K, 517lx @5 m
- CRI: 94,6 @3.200 K; 95,5 @5.600 K
- R9: 97 @3.200 K; 92 @5.600 K
- TLCI: 92 @5.600 K
- TM30 Rf: 92 @3.200 K; 89,5 @5.600 K
- TM30 Rg: 103 @3.200 K; 102,4 @5.600 K
- Source life expectancy: > 50.000 h

### OPTICS

- Beam angle: 102°
- Field angle: 159°
- Lens type: Medium Density diffusion panel (interchangeable)
- Additional optics: see available accessories

### COLOUR SYSTEM

- Colour control: XY, CCT, RGBW, Gel, HSI, Source Emulation, Color Macros, CTO on colors
- Colour mixing: RGB + Warm White
- CCT: CCT control range from 2.200K to 15.000K, + / - green correction, tungsten emulation
- White presets: 2.800K - 10.000K with 28 K resolution
- Colour wheel: virtual colour wheel with macros
- Macros: Gels library on-board

### DYNAMIC EFFECTS

- Control Resolution: 16-bit dimmer, colours
- Pixel patterns: pre-programmed pixel macros and cinema lighting effects patterns
- Special features: linear crossfade channel from any white to any colour; virtual CTO on colours

### BODY

- Body: sturdy die-cast aluminium body
- Body colour: black

### CONTROL

- Protocols: DMX512, RDM, W-DMX, rotatory knob
- Stand Alone: selectable mode through 3 rotatory knobs
- Pixel control: 8 section control
- Wireless Control: included, Wireless Solution transceiver
- RDM: RDM for remote monitoring and settings
- Display: Graphic User Interface
- Firmware upgrade: yes, via USB - DMX interface (UPBOX1) not included

### ELECTRONICS

- Dimmer: linear 0 ~ 100% electronic dimmer
- Dimmer curves: selectable dimming modes available
- Strobe / shutter: 1 - 30 Hz, electronic
- Display battery: self-charging battery backup
- Operating temperature: -10° ~ +45°
- LED Control: flicker free frequency with adjustable PWM
- Selectable PWM: 600 ~ 36.000 Hz

### ELECTRICAL

- Mains power supply: 100-240V - 50/60Hz
- Low Voltage DC mains: 24-36V
- Max power consumption: 460W
- Power factor: >0,94

### PHYSICAL

- IP rating: 20
- Cooling: active, silent operation
- Suspension and fixing: bracket for hanging and positioning
- Signal connection: Amphenol XLR 5p IN/OUT connectors
- Power connection: Neutrik powerCON TRUE1 IN/OUT connectors
- Low Voltage DC connector: XLR 4p
- Dimensions (WxHxD): 819x431x144mm
- Dimensions with PO system (WxHxD): 836x431x144mm
- Weight: 15,3kg
- Weight with PO system: 17,1kg

### CERTIFICATIONS / APPROVALS

- Certifications / Approvals: CE, UKCA, RCM, cTUVus, FCC

2.800 K

5.600 K

10.000 K



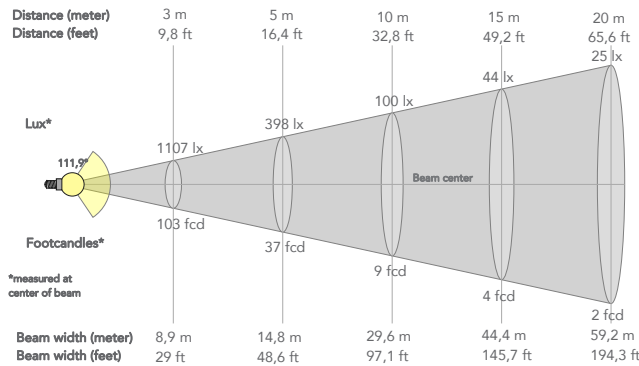
# EclPanel TWC

## PHOTOMETRICS

### PRESET 4.000 K (FILTER HD)

Beam angle 50%: 112°

Beam angle 50%	Field angle 10%	Cut off angle 2,5%	Intensity ratio in 120° cone	Intensity ratio in 90° cone
111,9°	161,8°	176,4°	76,2%	51,9%



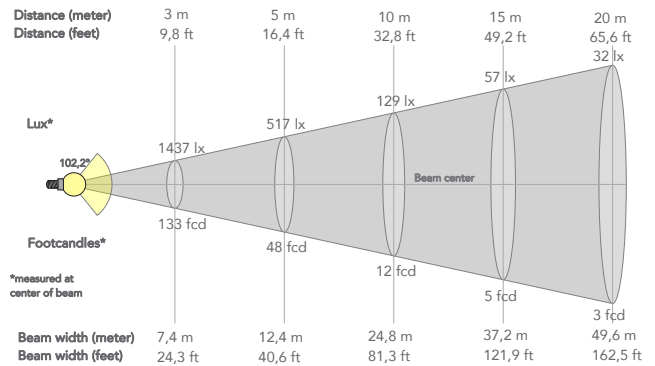
#### BEAM INTENSITIES AND WIDTHS

Distance	1m	2m	3m	4m	5m	7,5m	10m	15m	20m	25m	30m	40m	50m
Distance	3,3ft	6,6ft	9,8ft	13,1ft	16,4ft	24,6ft	32,8ft	49,2ft	65,6ft	82ft	98,4ft	131,2ft	164ft
Lux	9960lx	2490lx	1107lx	622lx	398lx	177lx	100lx	44lx	25lx	16lx	11lx	6lx	4lx
Footcand.	925fcd	231fcd	103fcd	58fcd	37fcd	17fcd	10fcd	4fcd	2fcd	1fcd	1fcd	0fcd	0fcd
Beam wid.	3m	5,9m	8,9m	11,8m	14,8m	22,2m	29,6m	44,4m	59,2m	74m	88,8m	118,4m	148,1m
Beam wid.	9,8ft	19,5ft	29ft	38,8ft	48,6ft	72,8ft	97,1ft	145,7ft	194,3ft	242,8ft	291,4ft	388,5ft	485,6ft

### PRESET 4.000 K (FILTER MD)

Beam angle 50%: 102°

Beam angle 50%	Field angle 10%	Cut off angle 2,5%	Intensity ratio in 120° cone	Intensity ratio in 90° cone
102,2°	158,6°	175,9°	77,8%	54,4%



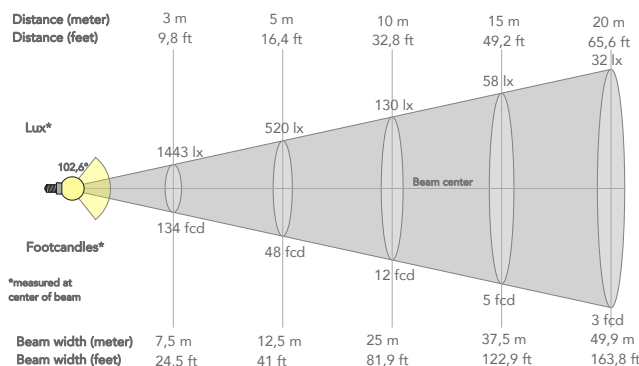
#### BEAM INTENSITIES AND WIDTHS

Distance	1m	2m	3m	4m	5m	7,5m	10m	15m	20m	25m	30m	40m	50m
Distance	3,3ft	6,6ft	9,8ft	13,1ft	16,4ft	24,6ft	32,8ft	49,2ft	65,6ft	82ft	98,4ft	131,2ft	164ft
Lux	12930lx	3233lx	1437lx	808lx	517lx	230lx	129lx	57lx	32lx	21lx	14lx	8lx	5lx
Footcand.	1201fcd	300fcd	133fcd	75fcd	48fcd	21fcd	12fcd	5fcd	3fcd	2fcd	1fcd	1fcd	0fcd
Beam wid.	2,5m	5m	7,4m	9,9m	12,4m	18,6m	24,8m	37,2m	49,6m	61,9m	74,3m	99,1m	123,9m
Beam wid.	8,2ft	16,4ft	24,3ft	32,5ft	40,6ft	60,9ft	81,3ft	121,9ft	162,5ft	203,2ft	243,8ft	325,1ft	406,3ft

### PRESET 4.000 K (FILTER LD)

Beam angle 50%: 102°

Beam angle 50%	Field angle 10%	Cut off angle 2,5%	Intensity ratio in 120° cone	Intensity ratio in 90° cone
102,6°	156,9°	175,8°	80,3%	56,6%



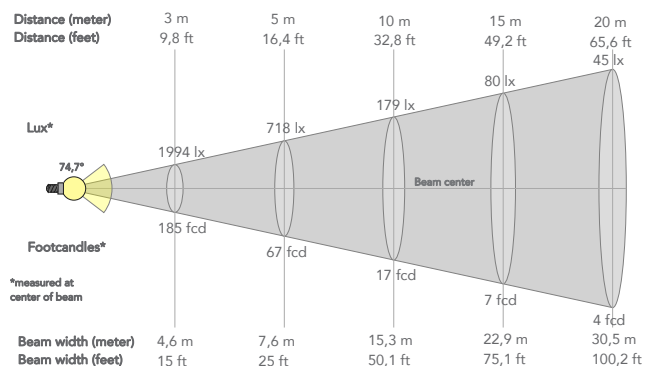
#### BEAM INTENSITIES AND WIDTHS

Distance	1m	2m	3m	4m	5m	7,5m	10m	15m	20m	25m	30m	40m	50m
Distance	3,3ft	6,6ft	9,8ft	13,1ft	16,4ft	24,6ft	32,8ft	49,2ft	65,6ft	82ft	98,4ft	131,2ft	164ft
Lux	12988lx	3247lx	1443lx	812lx	520lx	231lx	130lx	58lx	32lx	21lx	14lx	8lx	5lx
Footcand.	1207fcd	302fcd	134fcd	75fcd	48fcd	21fcd	12fcd	5fcd	3fcd	2fcd	1fcd	1fcd	0fcd
Beam wid.	2,5m	5m	7,5m	10m	12,5m	18,7m	25m	37,5m	49,9m	62,4m	74,9m	99,9m	124,9m
Beam wid.	8,2ft	16,5ft	24,5ft	32,7ft	41ft	61,4ft	81,9ft	122,9ft	163,8ft	204,8ft	245,7ft	327,6ft	409,5ft

### PRESET 4.000 K (FILTER INT)

Beam angle 50%: 75°

Beam angle 50%	Field angle 10%	Cut off angle 2,5%	Intensity ratio in 120° cone	Intensity ratio in 90° cone
74,7°	118,6°	170,9°	88,1%	74,1%



#### BEAM INTENSITIES AND WIDTHS

Distance	1m	2m	3m	4m	5m	7,5m	10m	15m	20m	25m	30m	40m	50m
Distance	3,3ft	6,6ft	9,8ft	13,1ft	16,4ft	24,6ft	32,8ft	49,2ft	65,6ft	82ft	98,4ft	131,2ft	164ft
Lux	17947lx	4487lx	1994lx	1122lx	718lx	319lx	179lx	80lx	45lx	29lx	20lx	11lx	7lx
Footcand.	1667fcd	417fcd	185fcd	104fcd	67fcd	30fcd	17fcd	7fcd	4fcd	3fcd	2fcd	1fcd	1fcd
Beam wid.	1,5m	3,1m	4,6m	6,1m	7,6m	11,5m	15,3m	22,9m	30,5m	38,2m	45,8m	61,1m	76,4m
Beam wid.	5ft	10,1ft	15ft	20ft	25ft	37,6ft	50,1ft	75,1ft	100,2ft	125,2ft	150,3ft	200,4ft	250,5ft



# EclPanel TWC

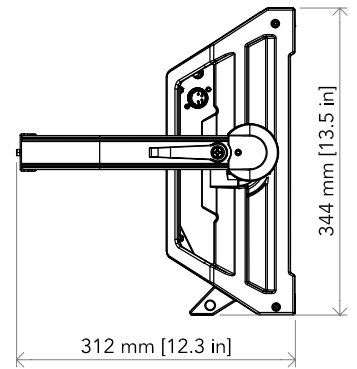
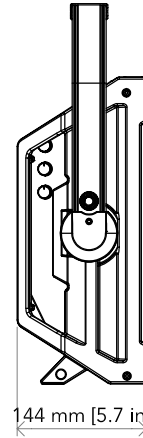
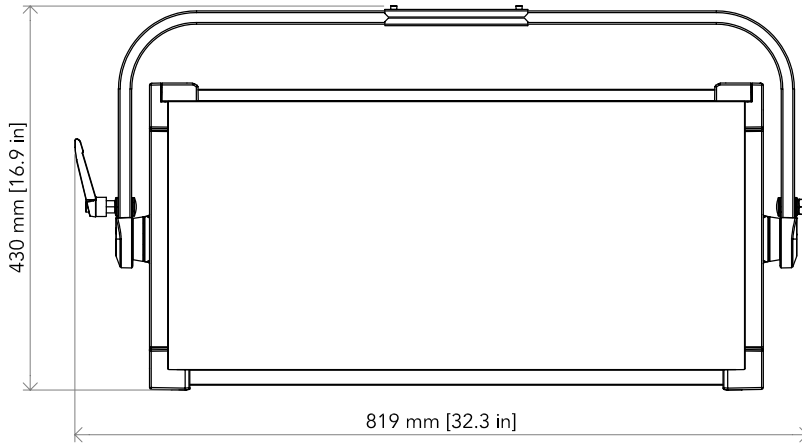
## ACCESSORIES

- 9513FXWL03 Ass. 3x2.5mm TH07 cable, 16A 3p 230V CEE plug, MENAC3FXW socket, L.3 m
- 9533FXWL03 Ass. 3x2.5mm TH07 cable, SHUKO plug, MENAC3FXW socket, L.3m
- 958225L03 3x2.5mm TH07 Cable, 16A 3p PwCon MXW, 16A 3p PwCon FXW, L. 3m
- C6002B Slim aluminum clamp, 200kg loading, 48-51mm tubes, M10 bolt, Black
- C6040B Aluminum clamp for 28mm spigot, 200kg load, 48-51mm tubes, black
- RSR0630B Steel security cable for hanging bodies, inox steel shackle, L=60 cm, black
- TOUR53415L03 Dmx cable HC5340. CANC5MXX XLR 5p->CANC5FXX XLR (f) 5p, L.3m
- WSBBF1G5 BlackBox F-1 G5 transmitter, 2,45GHz & 5.2/5,8 GHz, DMX/RDM, 512Ch
- WSBBF1G6 BlackBox F-1 G6 transrec, 512ch, 2.45GHz, DMX&RDM,Bluetooth,G3,G4,G4S, G5, CRMX
- WSBBR512G5 BlackBox R-512 G5 receiver 512Ch, 2.45GHz & 5.8GHz, DMX/RDM optional
- WSBBR512G6 BlackBox R-512 G6 receiver 512Ch, 2.45GHz,DMX&RDM,Bluetooth,G3,G4,G4S,G5,CRMX
- FCLPANEL1U Flight case for 1 pc of ECLPANELTWC
- FCLPANEL3U Flight case for 3 pcs of ECLPANELTWC
- ECLPANELPOYO Pole operated aluminium yoke bracket for ECLPANELTWC
- EPTWCBAG1U Trolley bag for 1 pc of ECLPANELTWC
- EPTWCBHEAD Articulation for center mount yoke EPTWCCYOKEFIX series
- EPTWCCYOKEFIXL Center mount yoke for ECLPANELTWC and ECLPANELTWCJR4X1
- EPTWCRC Rain Cover for ECLPANELTWC
- EPTWCFILTERINT Front intensified diffusion filter for ECLPANELTWC
- EPTWCFILTERHD Front high diffusion filter (less output) for ECLPANELTWC
- EPTWCFILTERMD Front medium diffusion filter for ECLPANELTWC
- EPTWCFILTERLD Front low diffusion filter (more output) for ECLPANELTWC
- ECLFRSPG Spigot for PROLIGHTS fixtures
- EPTWCEC30 30 degree egg crate for ECLPANELTWC
- EPTWCEC60 60 degree egg crate for ECLPANELTWC
- EPTWCEC8C 8 chamber egg crate for ECLPANELTWC
- EPTWCBD Barn door with 4 directional flaps to adjust the light beam
- EPTWCBDR2 Barn door with 4 directional flaps to adjust the light beam
- EPTWCBSB21 SnapBag 2x1 for ECLPANELTWC by DoP choice
- EPTWC4SB2140 40° SnapGrid for SnapBag, 2x1 for ECLPANELTWC by DoP choice
- EPTWC4SB2140 40° SnapGrid, 2x1 for ECLPANELTWC by DoP choice
- EPSRER Rabbit-Ears 2x1 Rectangular for ECLPANELTWC by DoP choice
- EPSBRL3 Snapbag Lantern 3' for Rabbit-Ears by DoP. Incl. Lantern, Backcovers, Carry Bag
- EPSBRL3C4 Cover for Snapbag Lantern 3' (EPSBRL3) by DoP choice; 4 sides, adj. with zipper
- EPSBRM SnapBag Medium to be mounted on Rabbit Ears by DoP.
- EPSGCM40 40° SnapGrid, to be mounted on Snap Bag Medium (EPSBRM)
- EPSBRO3 Snapbag Octa 3' to be mounted on Rabbit-Ears by DoP.
- EPSGC3W40 40° SnapGrid, to be mounted on Snap Bag Octa 3' (EPSBRO3)
- EPSBRO5 Snapbag Octa 5' to be mounted on Rabbit-Ears by DoP.
- EPSGC5W40 40° SnapGrid, to be mounted on Snap Bag Octa 5' (EPSBRO5)
- EPSBRO7 Snapbag Octa 7' to be mounted on Rabbit-Ears by DoP.
- EPSGC7W40 40° SnapGrid, to be mounted on Snap Bag Octa 7' (EPSBRO7)
- EPSBCFNMSM Diffusion MAGIC cloth for Snapbag 60x90cm (EPTWCSB21) by DoP choice
- EPSBCFNFS Diffusion FULL Grid cloth for Snapbag 60x90cm (EPTWCSB21) by DoP choice
- EPSBCFNSSH Diffusion HALF Grid cloth for Snapbag 60x90cm (EPTWCSB21) by DoP choice
- EPSBCFNSEQ Diffusion QUARTER Grid cloth for Snapbag 60x90cm (EPTWCSB21) by DoP choice
- EPSBCFNSQFM Diffusion cloth SET(1/4,1/1,MAGIC) for Snapbag 60x90cm (EPTWCSB21) by DoP choice
- EPSBCFNSQHF Diffusion cloth SET (1/4, 1/2,1/1) for Snapbag 60x90cm (EPTWCSB21) by DoP choice
- EPTWCLANT21 Snapbag Lantern for ECLPANELTWC by DoP. Incl. Lantern, Backcovers, Carry Bag
- SWIT500W2KIT 24/48V 500W battery (>1.2hrs) KIT including 2\*PBH260S smart power batt.+st.adapt
- UPBOX1U Firmware uploader kit, USB IN, 3pin XLR DMX OUT, USB OUT

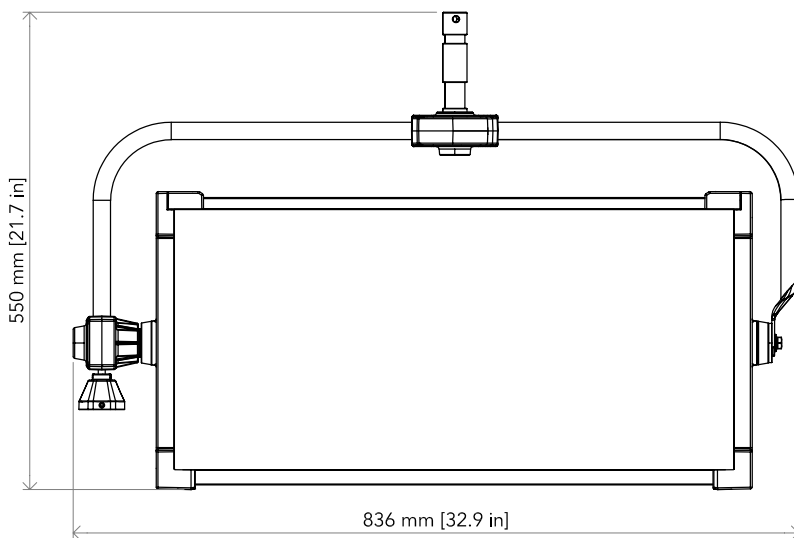


# EclPanel TWC

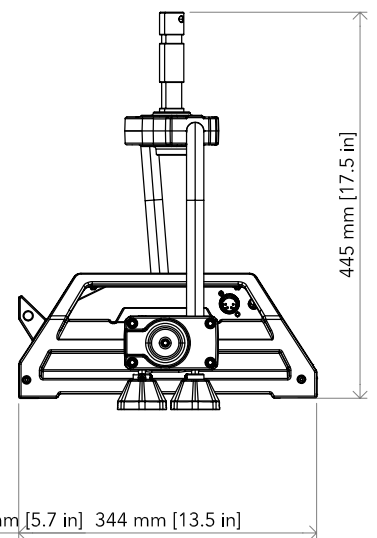
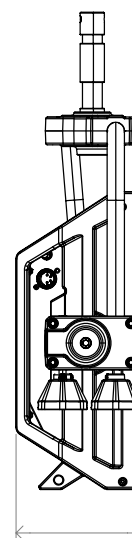
## TECHNICAL DRAWINGS



WEIGHT: 15,3 kg



with ECLPANELPOYO (pole operated yoke bracket for EclPanel TWC)



WEIGHT (with PO system): 17,7 kg

## PACKAGE CONTENT

- ECLPANELTWC
- 1,5 meters SCHUKO - NEUTRIK POWERCON TRUE1 power cable
- EPTWCFILTERMD: Front medium diffusion filter for ECLPANELTWC
- ECLFRSPG: Spigot for PROLIGHTS Fresnel series
- User manual

## CERTIFICATIONS / APPROVALS



Conforms to UL STD. 1573  
Certified to CSA STD: C22.2 NO. 166

Visit our website  
for specifications and  
tech documentations

