



**LIGHT SOURCE**  
7x40 W RGBW  
Osram Ostar LEDs



**BEAM ANGLE**  
3° - 45° motorised  
linear zoom



**CONNECTIVITY**  
DMX512, RDM,  
Art-Net, W-DMX,  
Lumen Radio TiMo



**IP RATING**  
20

STARK400 is a new generation, high-output LED wash light designed to bring the workhorse LED wash light right up-to-date. Featuring 7 of Osrams new 40W RGBW Ostar LEDs it delivers a massive output for its size with a huge colour range and an extensive toolkit of effects.

## FEATURES

- Massive 4° to 45° linear zoom range from beam to wash
- Individual control of calibrated pixels with on-board FX generator for fast and precise effects
- Liquid cooling system for efficient cooling with virtually no noise

## TECHNICAL SPECIFICATION

### LIGHT SOURCE

Source: 7x40 W RGBW Osram Ostar LEDs  
CT: tunable 2,000 K ~ 10,000 K  
Lux: (4°) 38,890 lx @3 m full

### OPTICS

Zoom: 4° - 45° motorised linear zoom

### COLOUR SYSTEM

Colour mixing: RGBW / FC  
CTC: CTC control through independent DMX channel  
Colour wheel: virtual colour wheel with presets

### DYNAMIC EFFECTS

Pixel patterns: pre-programmed dynamic and static patterns  
FX generator: adjustable foreground/background colour, index, speed, direction

### BODY

Pan angle: 540° / 630°  
Tilt angle: 233°

### CONTROL

Protocols: DMX512, RDM, Art-Net, W-DMX  
DMX channels: 16 / 26 / 27 / 32 / 50 channel

Pixel control: pixel2pixel control

W-DMX: included, Lumen Radio TiMo

### ELECTRONICS

Dimmer: linear 0 ~ 100% electronic dimmer

Dimmer curves: different dimming curves available

Strobe / shutter: 1 - 30 Hz, electronic

### ELECTRICAL

Power consumption (at 230 V): 265 W

Power consumption (at 120 V): 265 W

### PHYSICAL

Signal connection: Amphenol XLR 5p IN/OUT connectors

Data connection: Art-NetRJ45 IN/OUT

Power connection: Neutrik powerCON TRUE1 IN/OUT connectors

IP rating: 20

Dimensions (WxHxD): 328x452x235 mm / 12.91"x17.8"x9.25"

Weight: 11 kg / 24.25 lbs

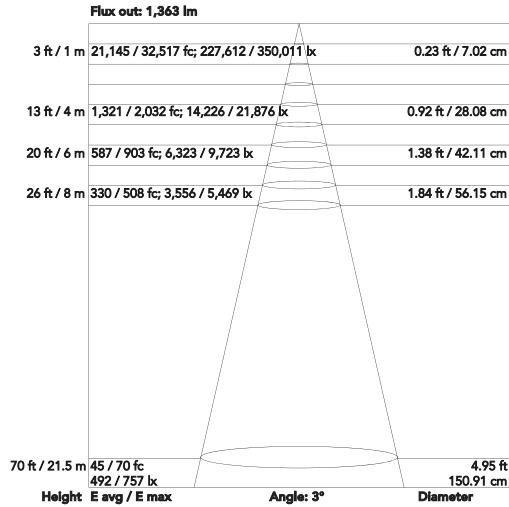
## PHOTOMETRIC DATA

### Stark400 - FULL (3°)

7 X 40 W high power LED wash/beam light with pixel mapping



Photometrics Diagram

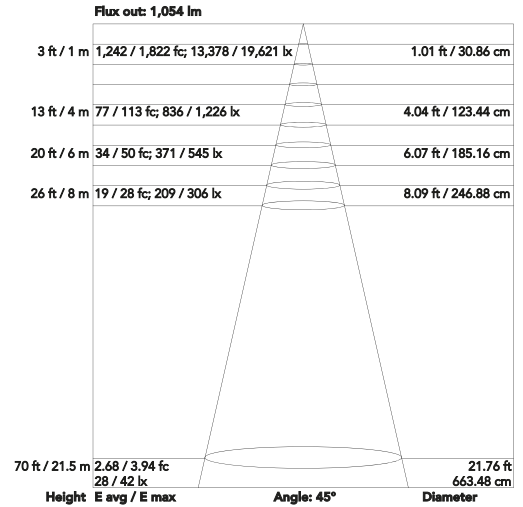


### Stark400 - FULL (45°)

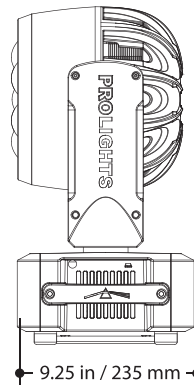
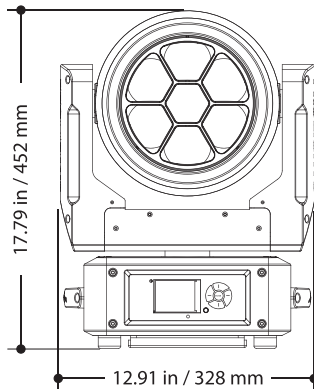
7 X 40 W high power LED wash/beam light with pixel mapping



Photometrics Diagram



## TECHNICAL DRAWING



prolightsamerica.com