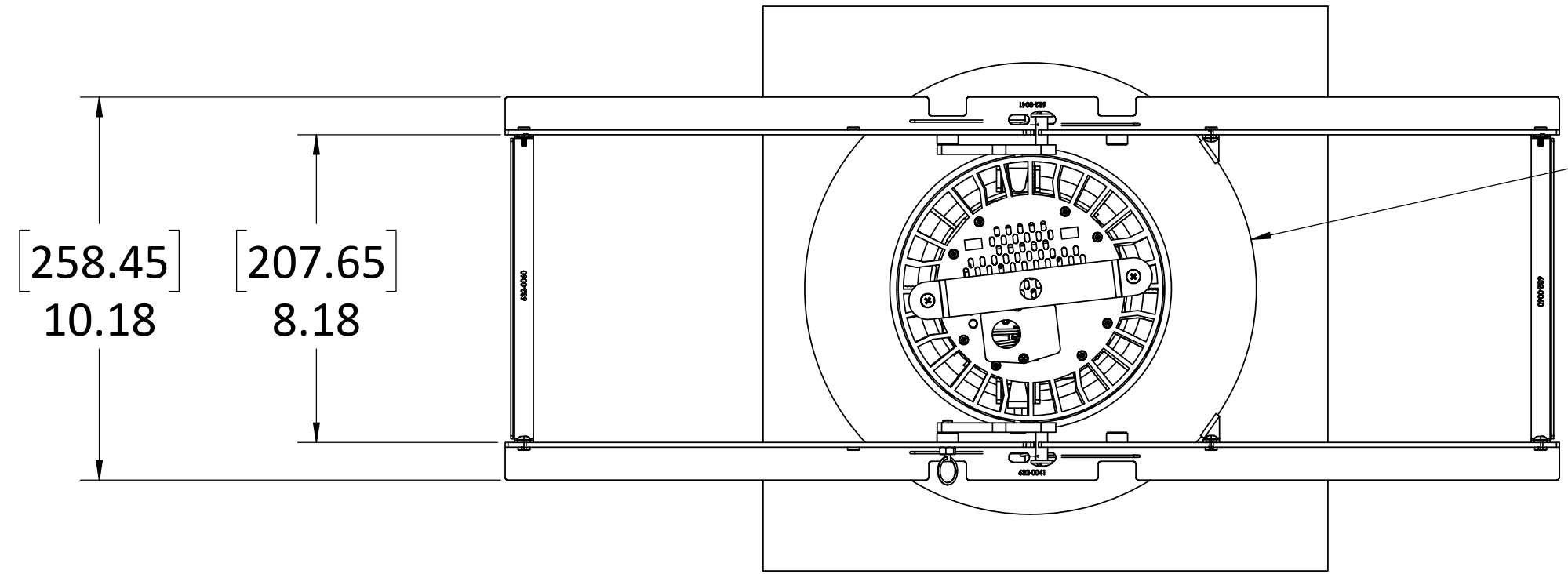
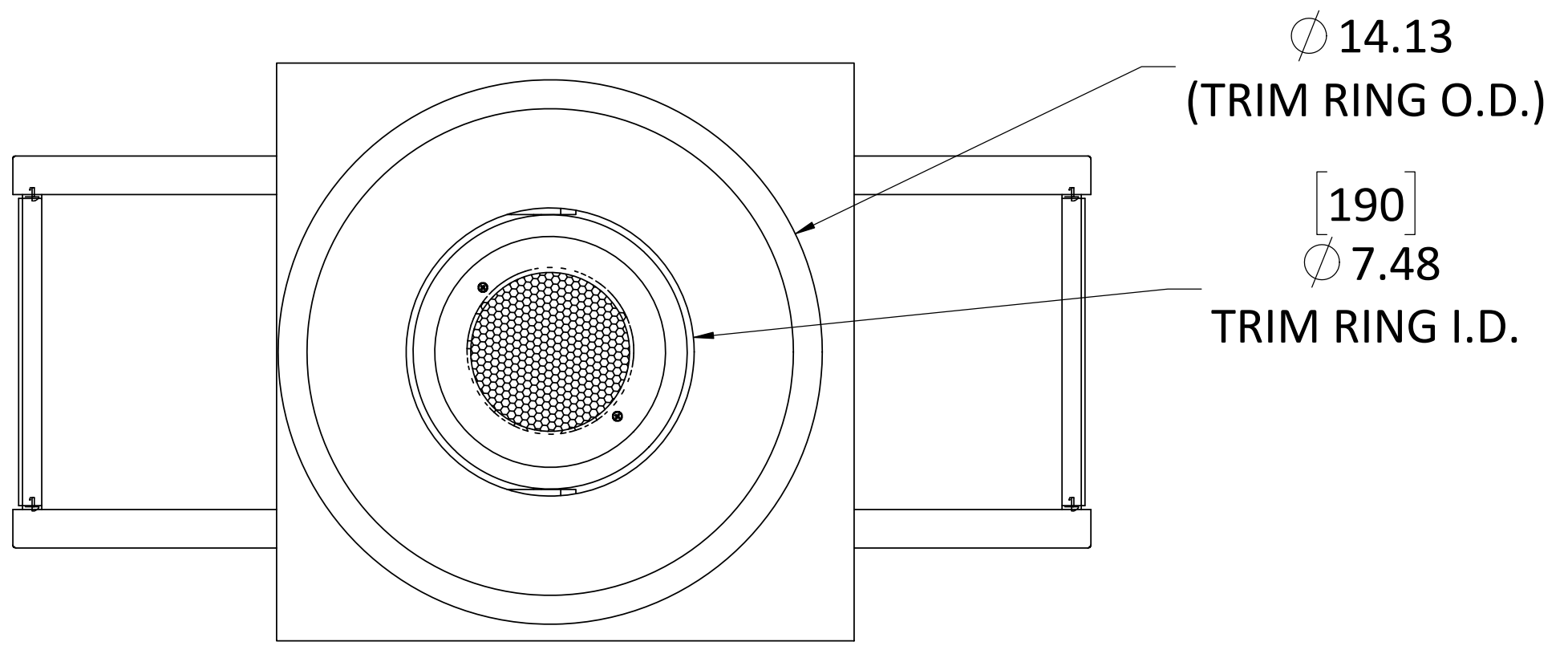
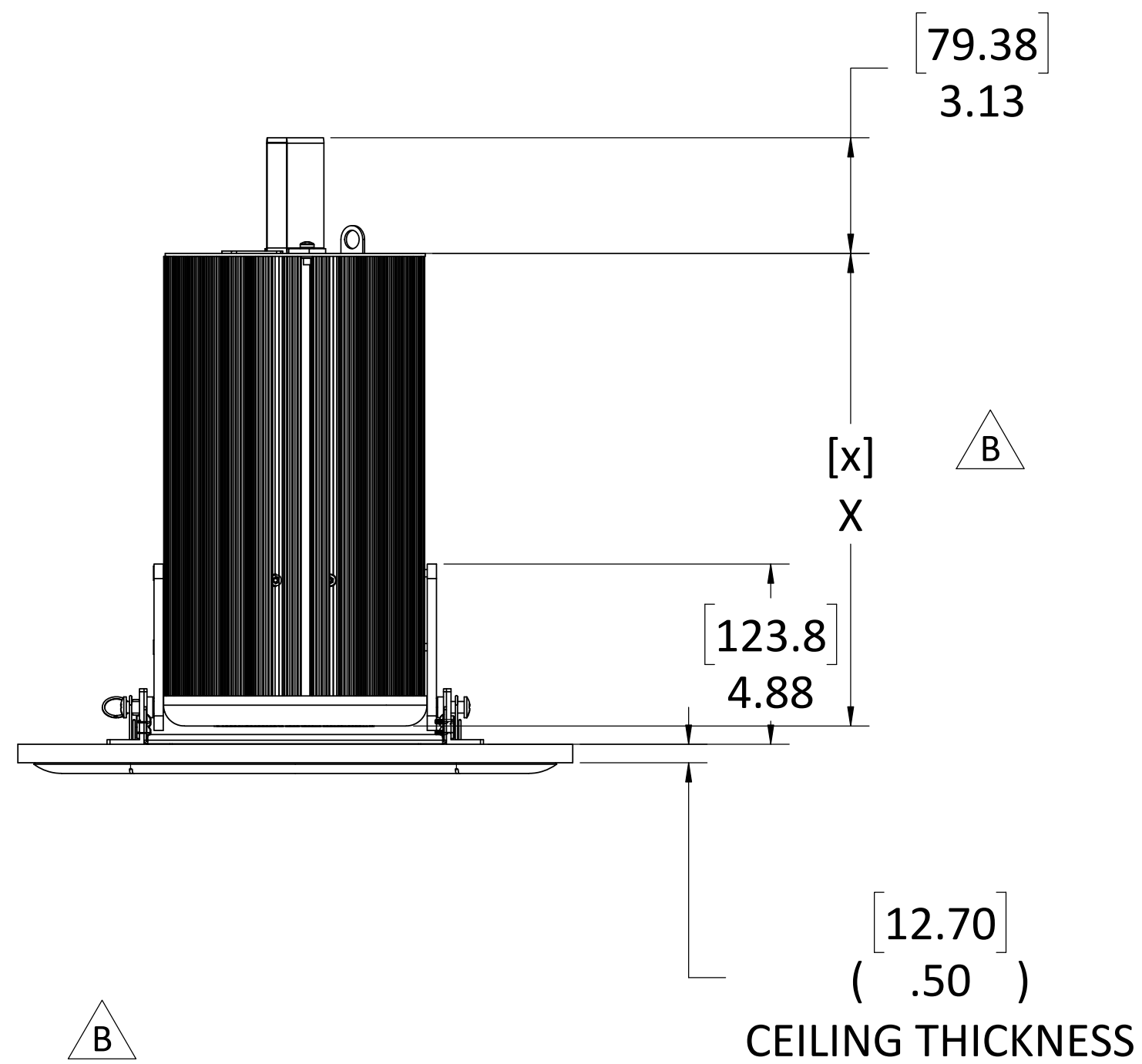
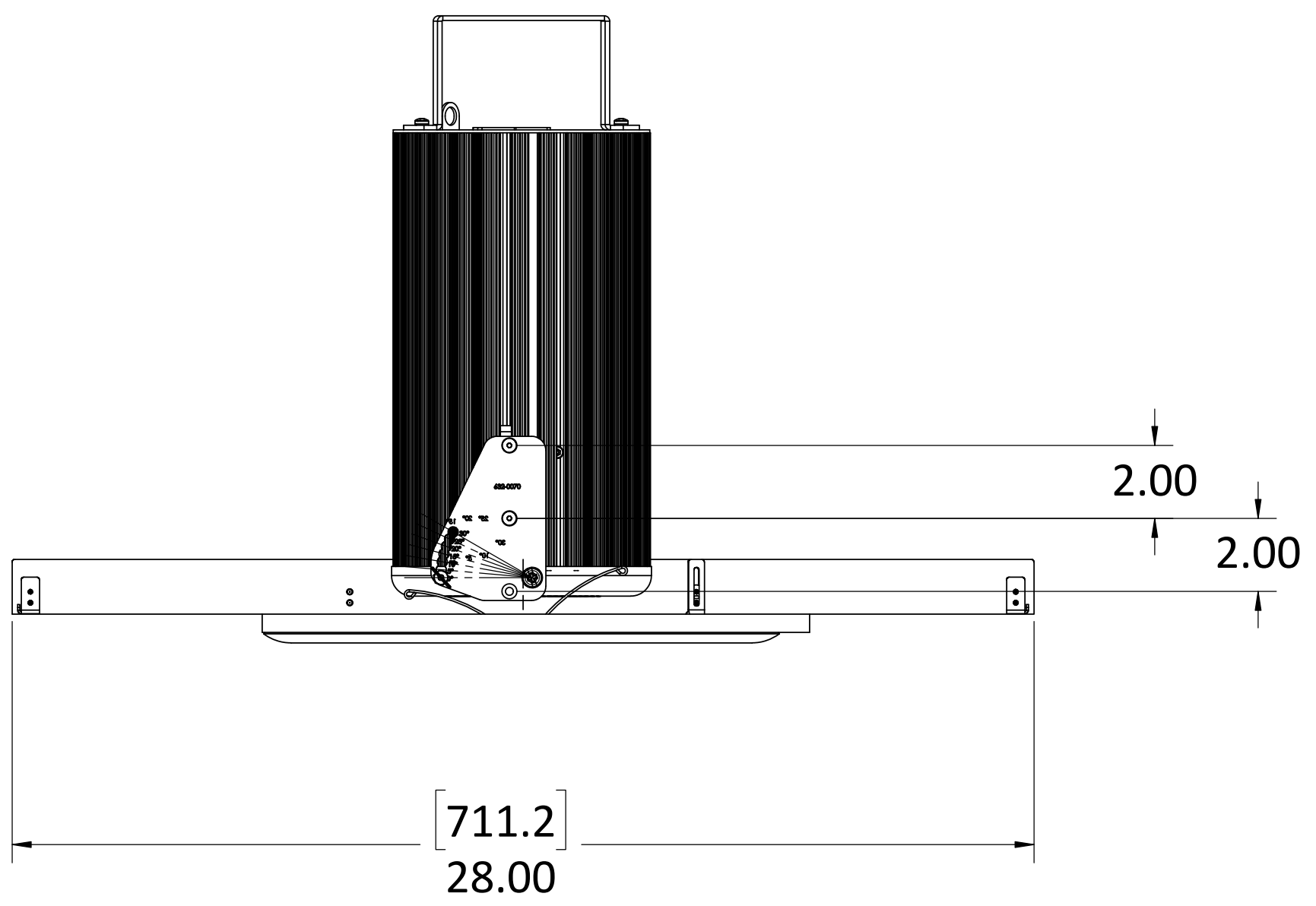


12 11 10 9 8 7 6 5 4 3 2 1

REVISIONS			
REV.	DESCRIPTION	DATE	APPROVED
A	INITIAL RELEASE	2018-04-13	JG
B	OVERALL DIMENSION TABLE AND SHEET 2 ADDED	2018-08-31	PP



[304.80]
(ϕ 12.00)
CEILING CUTOUT



OVERALL DIMENSION TABLE		
INSPIRE	X (in)	[x] (mm)
MINI	6.8	172.7
REGULAR	12.8	325.1
MD	12.8	325.1
XT	18.8	477.9

UNLESS OTHERWISE SPECIFIED:	NAME	DATE
DIMENSIONS ARE IN INCHES	AB	10/04/2018
TOLERANCES:	CHECKED	JG
TWO PLACE DECIMAL ± 0.01	ENG APPR.	
THREE PLACE DECIMAL ± 0.003	MFG APPR.	
INTERPRET GEOMETRIC TOLERANCING PER:	Q.A.	
MATERIAL	COMMENTS:	
N/A		
FINISH		
N/A		
DO NOT SCALE DRAWING		

Chroma-Q
HET. AVE. 50 E. 11000

TITLE: **KIT BLIND SLANT CEILING 0 TO 15 DEGREE ANGLE BLACK AC P/N CHINSIK15B**

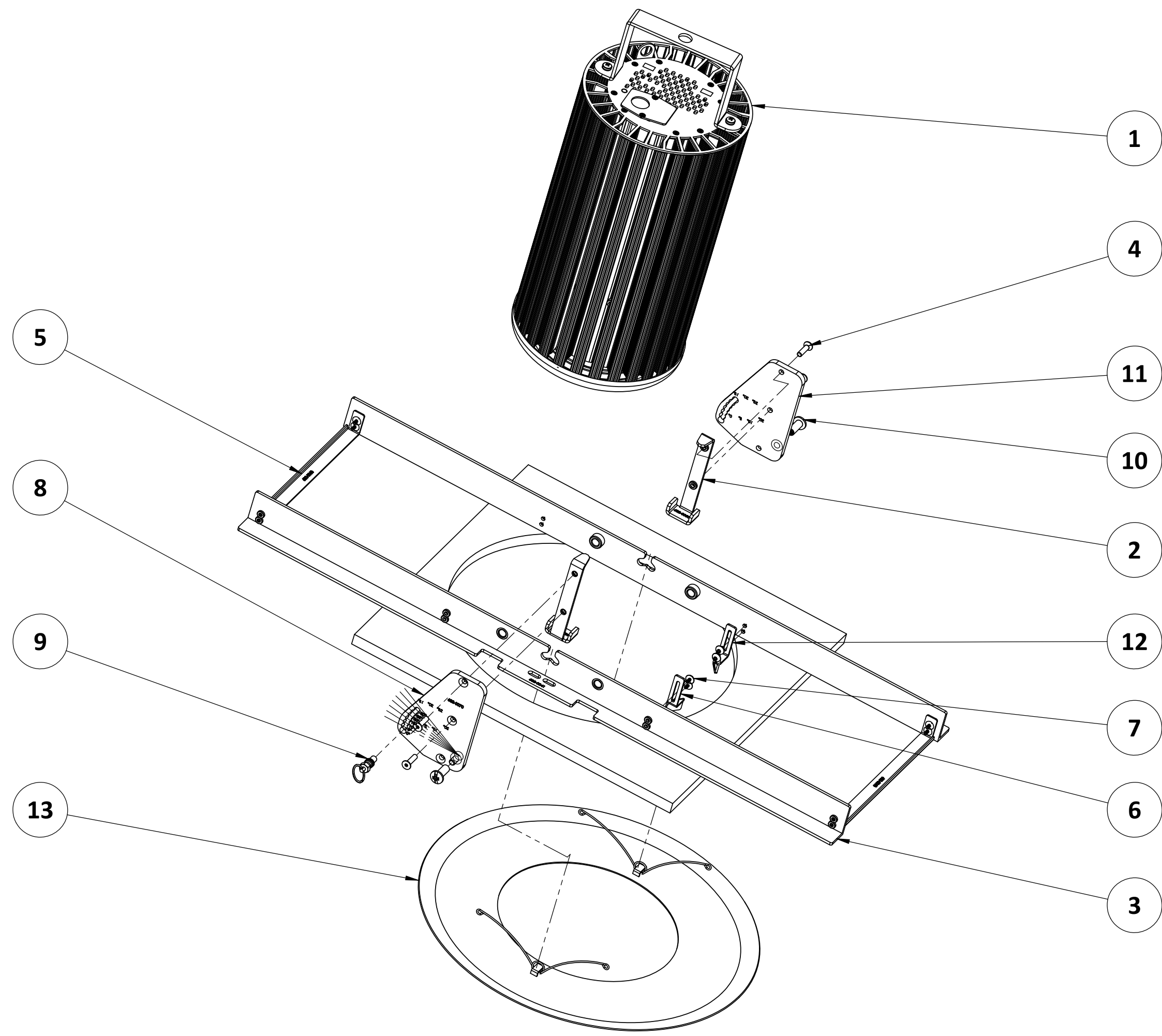
SIZE A2	DWG. NO. 632-9300	REV B
SCALE: 1:4	WEIGHT: 3.36 LBS / 1.52 KGS	SHEET 1 OF 1

NOTE: SAME OVERALL DIMENSIONS ARE APPLICABLE FOR CHINSIK15W (MODEL:632-9301)

12 11 10 9 8 7 6 5 4 3 2 1

ITEM NO.	PART NUMBER	DESCRIPTION	QTY.
1	632-XXXX	CHROMA-Q INSPIRE SERIES	1
2	632-0050	BRACKET HOOK LONG	2
3	632-0041	ANGLE SUPPORT CEILING MOUNT BLIND SLANT	2
4	450-1120-2	B18.3.5M - 5 x 0.8 x 20 Socket FCHS -- 20N	4
5	632-0060	CROSS BRACE CEILING MOUNT BLIND SLANT	2
6	632-0065	CORNER HOOK LH CEILING MOUNT BLIND SLANT	1
7	450-1508-2	SCREW M3x6 BHSCS ST	12
8	632-0070	BRACKET ATTACHMENT LH CEILING MOUNT BLIND SLANT	1
9	338-5225-2	SPRING PLUNGER 3/8"-16	1
10	331-5675-2	BINDING POST 5/16"	2
11	632-0071	BRACKET ATTACHMENT RH CEILING MOUNT BLIND SLANT	1
12	632-0066	CORNER HOOK RH CEILING MOUNT BLIND SLANT	1
13	632-0055 OR 632-0056	TRIM RING LOW ANGLE	1

REVISIONS			
REV.	DESCRIPTION	DATE	APPROVED
A	INITIAL RELEASE	2018-04-13	JG
B	OVERALL DIMENSION TABLE AND SHEET 2 ADDED	2018-08-31	PP



UNLESS OTHERWISE SPECIFIED:	DRAWN	NAME	DATE
DIMENSIONS ARE IN INCHES	AB	AB	10/04/2018
TOLERANCES:	CHECKED	JG	13/04/2018
TWO PLACE DECIMAL ±0.01	ENG APPR.		
THREE PLACE DECIMAL ±0.003	MFG APPR.		
INTERPRET GEOMETRIC TOLERANCING PER:	Q.A.		
MATERIAL	COMMENTS:		
N/A			
FINISH			
N/A			
DO NOT SCALE DRAWING			



Chroma-Q
HET. AVE 50-11108

TITLE: KIT BLIND SLANT CEILING 0 TO 15 DEGREE ANGLE BLACK AC P/N CHINSIK15B

SIZE A2	DWG. NO. 632-9300	REV B
SCALE: 1:4	WEIGHT: 3.36 LBS / 1.52 KGS	SHEET 1 OF 1