

Approvals & Disclaimer



The information contained herein is offered in good faith and is believed to be accurate. However, because conditions and methods of use of our products are beyond our control, this information should not be used in substitution for customer's tests to ensure that Chroma-Q products are safe, effective, and fully satisfactory for the intended end use. Suggestions of use shall not be taken as inducements to infringe any patent. Chroma-Q sole warranty is that the product will meet the Chroma-Q sales specifications in effect at the time of shipment. Your exclusive remedy for breach of such warranty is limited to refund of purchase price or replacement of any product shown to be other than as warranted.

Chroma-Q reserves the right to change or make alteration to devices and their functionality without notice due to on-going research and development.

The Chroma-Q 8>4 DMX A/B Switch has been designed specifically for the professional entertainment lighting industry. Regular maintenance should be performed to ensure that the products perform well in the entertainment environment.

If you experience any difficulties with any Chroma-Q products please contact your selling dealer. If your selling dealer is unable to help please contact support@chroma-q.com. If the selling dealer is unable to satisfy your servicing needs, please contact the following for full factory service:

Outside North America:

Tel: +44 (0)1494 446000
Fax: +44 (0)1494 461024
support@chroma-q.com

North America:

Tel: +1 416-255-9494
Fax: +1 416-255-3514
support@chroma-q.com

For further information please visit the Chroma-Q website at www.chroma-q.com.

Chroma-Q is a trademark, for more information on this visit www.chroma-q.com/trademarks.

The rights and ownership of all trademarks are recognised.

Quick Start Guide

Magic Box™

8>4 DMX A/B Switch



Chroma-Q™
BRILLIANT SOLUTIONS

For a full product manual please visit www.chroma-q.com

1. Product Description

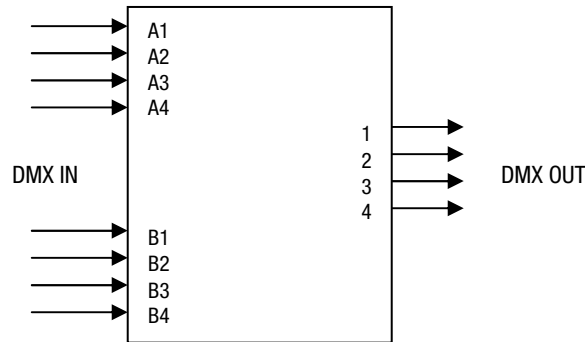
The Chroma-Q Magic Box 8>4 DMX A/B Switch is a device that manages a fast and reliable manual DMX line switchover between a master and back-up console of up to 4 DMX lines. It has two sets of 4 DMX inputs and one output set of 4 lines.

2. Operation

1. Connect input data ANSI E1.11 USITT DMX 512-A from an external source or lighting control console through an 8 male XLR-5.
2. Connect output data ANSI E1.11 USITT DMX 512-A through 4 female XLR-5.
3. The unit is controlled by a simple manually operated switch.

Note: The unit requires no power, electronics or software to ensure the highest possible reliability.

3. System Diagram



4. Control and Power Cables

The XLR-5 cable is wired pin to pin, in the following format:

Pin	Function
1	Ground (Screen)
2	Data Minus
3	Data Plus
4	Spare Data Minus
5	Spare Data Plus

5. Installation

Unique Magic Box interlocking enclosure facilitates easy rack mounting when used in pairs and easy truss mounting via captive nut insert. Rack mounting brackets are available in single unit and dual unit versions.

Note: for truss mounting, we recommend the use of a 1/2"-13UNC x 3/4" long bolt to avoid damage.

6. Further Information

Please refer to the Chroma-Q Magic Box 8>4 DMX A/B Switch manual for more detailed information. A copy of the manual can be found at the Chroma-Q website – www.chroma-q.com – under Support.