



LIGHT SOURCE
60 W RGBW
Osram Ostar LED



BEAM ANGLE
6° - 50°
motorised
linear zoom



CONNECTIVITY
DMX512



IP RATING
20

PIXIEWASH is a single source, compact LED wash luminaire with a 6° to 50° zoom. Featuring a single 60W LED, its small form factor and near-silent cooling make it ideal for low ceilings or noise-sensitive environments.

FEATURES

- Single 60 W Osram Ostar RGBW LED with extensive colour range
- Massive 6° to 50° linear zoom with a smooth, even beam
- HD dimming

TECHNICAL SPECIFICATION

LIGHT SOURCE

Source: 60 W RGBW Osram Ostar LED
Luminous flux: (6°) 1,375 lm - (23°) 1,457 lm
Lux: (6°) 10,777 lx - (23°) 832 lx @3 m full

OPTICS

Zoom: 6° - 50° motorised linear zoom

COLOUR SYSTEM

Colour mixing: RGBW / FC
CTC: CTC control through independent DMX channel
Colour wheel: virtual colour wheel with presets

BODY

Pan angle: 540°
Tilt angle: 260°

CONTROL

Protocols: DMX512
DMX channels: 13 / 16 channel

ELECTRONICS

Dimmer: linear 0 ~ 100% electronic dimmer
Dimmer curves: 4 different dimming curves available
Strobe / shutter: 1 - 30 Hz, electronic

ELECTRICAL

Power consumption (at 230 V): 125 W
Power consumption (at 120 V): 129 W

PHYSICAL

Signal connection: Amphenol XLR 5p IN/OUT connectors
Power connection: Neutrik powerCON IN/OUT connectors
IP rating: 20
Dimensions (WxHxD): 253x320x204 mm / 9.96"x12.6"x8.03"
Weight: 7 kg / 15.43 lbs

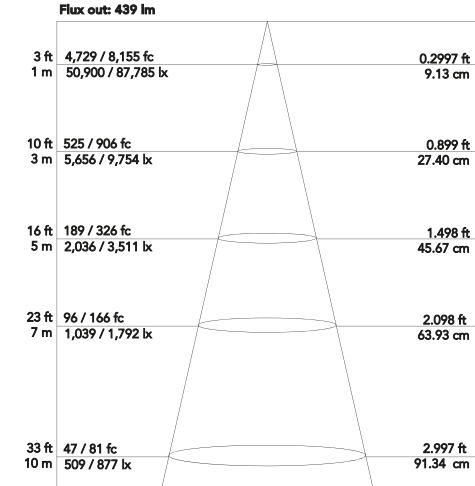
PHOTOMETRIC DATA

PixieWASH - FULL (6°)

60 W single source compact and zoomable LED wash luminaire



Photometrics Diagram



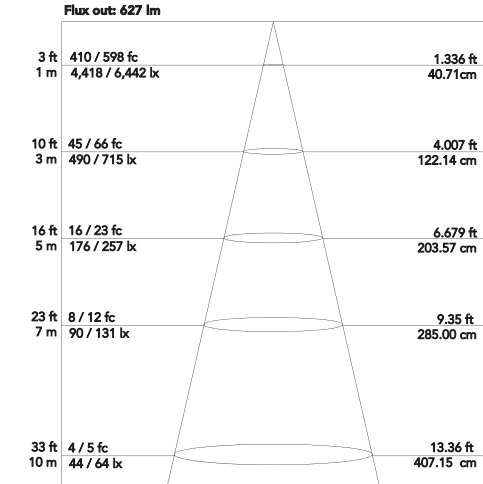
Note: the Curves indicate the illuminated area and the average illumination when the luminaire is at different distance

PixieWASH - FULL (45°)

60 W single source compact and zoomable LED wash luminaire

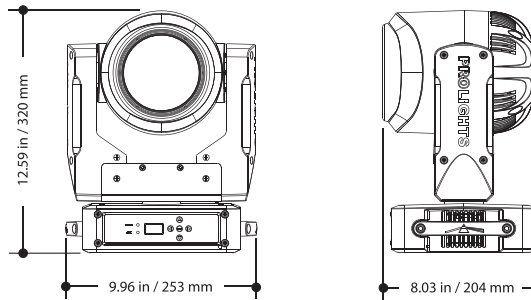


Photometrics Diagram



Note: the Curves indicate the illuminated area and the average illumination when the luminaire is at different distance

TECHNICAL DRAWING



prolightsamerica.com