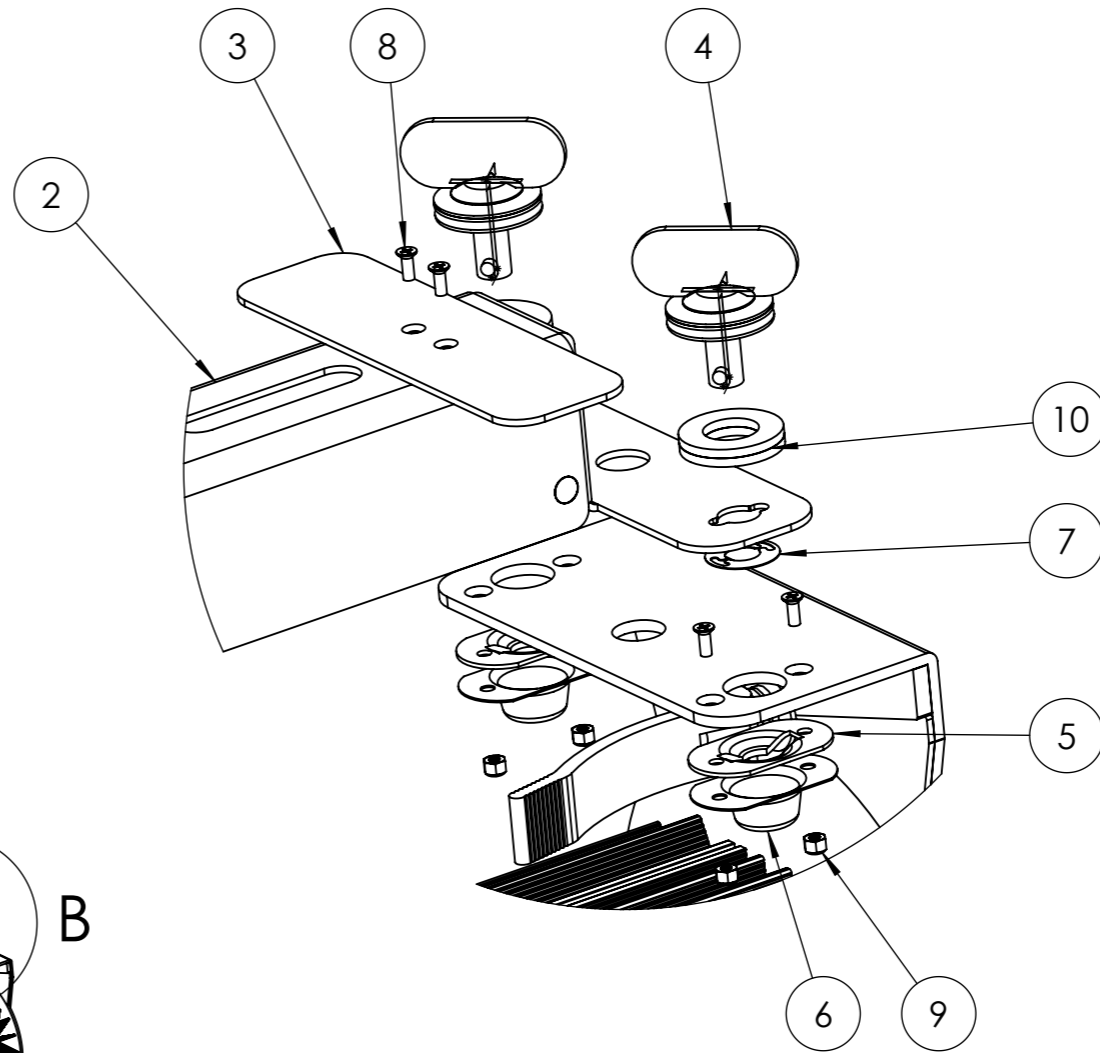
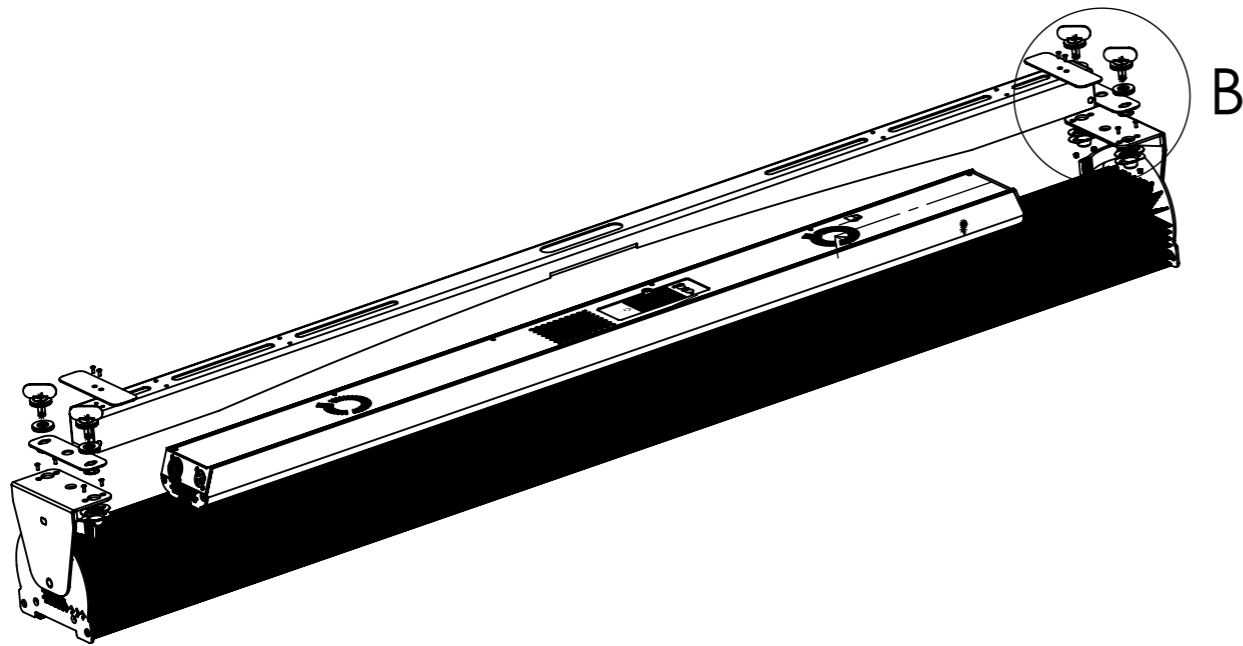


ITEM	PART NUMBER	DESCRIPTION	QTY. (in the Kit)
1	641-5000	STUDIO FORCE II 72	0
2	641-0060	HANG BAR CFII SFII 72	1
3	641-0063	STABILIZER HANGBAR BLK	2
4	338-6101-1	Quarter Turn Male Fastener	4
5	338-6102-1	Quarter Turn Female Fastener	4
6	338-6103-1	CAP Quarter Turn	4
7	338-6104-1	Washer Capacitive Quarter Turn	4
8	430-1108-0	SCREW M3x8 FH PLPS BLK	12
9	430-3304-0	NUT HEX M3 NYLOCK BLK	8
10	414-2128-1	WASHER M14 OD28MM ZN	8



DETAIL B
SCALE 1:2



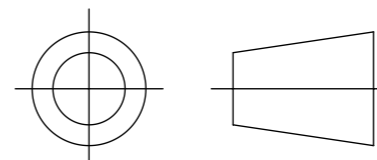
ALL INFORMATION CONTAINED IN THIS DOCUMENT IS PROPERTY OF CHROMA-Q AND MAY NOT BE REPRODUCED IN WHOLE OR PART WITHOUT PERMISSION OF CHROMA-Q

UNLESS OTHERWISE SPECIFIED ALL DIMENSIONS ARE IN MM [INCHES]

TITLE:

**HANG BAR KIT BLK
CFII SFII 72**

THIRD ANGLE PROJECTION



SIZE
A3

PART NO.

641-9103

REV
-

SCALE: 1:50

WEIGHT:

SHEET 1 OF 2